

## Plough for microtractor 12 - 70 HP

All our ploughs are inherited historically from the plough bodies Huard, polyvalent body with helical mouldboard for a formed ploughing, needs less pulling power

The *simple ploughs*: you start in the middle of a land parcel, the soil is thrown on the right side turning around the plough. The bigger the parcel, the more important the covered distance without ploughing.

The *reversible ploughs*: you start at one end of the parcel, the soil is always thrown on the same side outward and return. Continuous ploughing

### SM30 – SM32 Simple monoshare 8" and 10" For Microtractors 12 - 35 HP

*The advantages :* economic solution for occasional ploughing of small surface, very easy adjustment



SM30AC9 + ZSM30

Reference	Weight kg	Working width of du soc	Working depth	Tractor power HP	Max. distance between the tyres	3°point linkage	Max. Offset
SM 309	50	8" (20 cm)	15 cm	12-15	70 cm	N°1	11 cm
<sup>A</sup> SM 30AC9	50	8" (20 cm)	15 cm	12-15	70 cm	N°1	11 cm
SM 3210	60	10" (25 cm)	17 cm	16-35	76 cm	N°1	13 cm
<sup>B</sup> SM 32AC10	61	10" (25 cm)	17 cm	16-35	76 cm	N°1	13 cm

share with spoiler

Adjustment by hitch orientation

Adjustment of offset by moving sheath and sliding drawbar

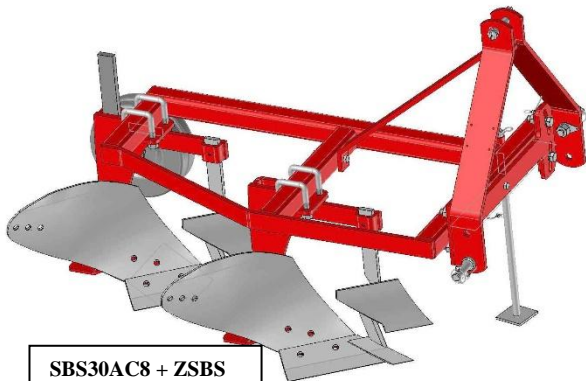
**Options :** Rasette : **ZSM30** (8") / **ZSM32** (10").

Coutre droit : **CDSM30** (8") / **CDSM32** (10").

Control wheel **ROUESM30** (8") / **ROUESM32** (10").

### SBS30 – SBS32 Simple bisoc 8" et 10" For Microtractors 25 - 50 HP

*The advantages:* economic solution for occasional ploughing of small surface, very easy adjustment



SBS30AC8 + ZSBS

Reference	Weight kg	Working width of du soc	Working depth	Tractor power HP	distance between yres	3°point linkage	Max. Offset
SBS 308	95	2 x 8" (38 cm)	15 cm	25-40	80 à 110 cm	N°1	15 cm
SBS 30AC8							
SBS3210	100	2 x 10" (48 cm)	17 cm	35-50	90 à 120 cm	N°1	15 cm
SBS32AC10							
SBS32YE10							

« AC » = share with spoiler « YE » = share with bar

Adjustment by hitch orientation

Adjustment of offset and distance of plough bodies with sliding flanges

Serial control wheel

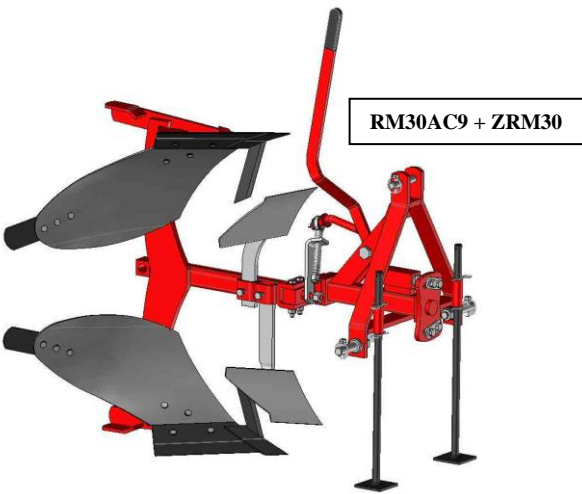
**Options :** Pair of skimmers **ZSBS**

Pair of coulters **CDSBS**.

**RM30 – RM32 – RM35 – RM50 – RM55**  
**reversibles monoshare with lever 8" - 14"**

**RHM30 – RHM32 – RHM50 – RHM55**  
**Hydraulic reversibles monoshare 8" - 14"**

For Microtractors 12 - 50 HP



Reference	Weight kg	Working width of du soc	Working depth	Tractor power HP	distance between yres	3°point linkage
RM 309 30AC9 30YE9	56	8" (20 cm)	15 cm	12-17	70 cm	11 cm
RHM 308 30AC8 30YE8	73					
RM 3210 32AC10 32YE10	100	10" (25 cm)	17 cm	16-35	76 cm	13 cm
RHM32						
RM 3510 35AC10 35YE10	106					
RM 50AC12 50YE12	150	12" (30 cm)	21 cm	20-40	85 cm	13 cm
RHM 50AC12 50YE12	160				92 cm	17 cm
RM 55AC14 55YE14	160	14" (35 cm)	24 cm	25-50	96 cm	13 cm
RHM 55AC14 55YE14	170				102 cm	17 cm

« AC » = share with spoiler « YE » = share with bar  
 « RHM » = with hydraulic return

**Options :**

Pair of skimmers: **ZRM30** (8") / **ZRM** (10"-12"-14")  
 Pair of coulters: **CDRM30** (8") / **CDRM** (10"-12"-14").  
 Control wheel: **ROUERM30** (8") / **ROUERM** (10"-12"-14").  
 Counter weight : **MRM30** (8") / **MRM** (10"-12"-14").

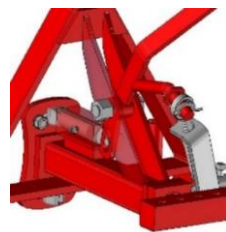
**RM30** : light plough with low pulling, perfect for microtractors with low power

**RM32-35-50-55** : robust plough, mounted with roller bearings, landslides and counterfoil are interchangeable

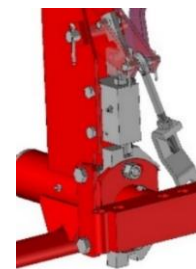
**RM35-50-55** : improved manuel turn device, linkage adjustable

**RM50-55** : reinforced rear frame with security shear bolt

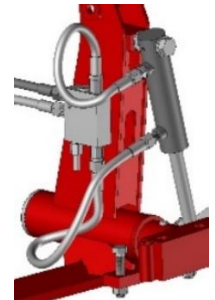
**The advantages :** efficiency of turn device, easy utilization and adjustment. Turn speed adjustable on the hydraulic versions



**RM30**  
**RM32**



**RM35**  
**RM50**  
**RM55**



**RHM**

**RBS35 – RBS50 – RBS55**  
**Hydraulic reversible bisoc 10" à 14"**

For Microtractors 35 - 70 HP

« AC » = share with spoiler « YE » = share with bar



Turn pivot mounted with roller bearings.  
 landslides and counterfoil are interchangeable  
 Linkage adjustable.

**RBS 50 et 55** : bâtis reinforced rear frame with security shear bolt

Réf.	Poids kg	Largeur de travail	Prof. de travail	Puissance tracteur CV	Entre pneus maxi	Attelage 3°points	Déport maxi
RBS 3510 35AC10 35YE10	170	2 x 10" (48 cm)	17 cm	30-50	92 cm	N°1	8 cm
RBS 50AC12 50YE12	270	2 x 12" (59 cm)	21 cm	35-60	102 cm	N°1	8 cm
RBS 55AC14 55YE14	290	2 x 14" (69 cm)	24 cm	40-70	112 cm	N°1	8 cm

**Options :** Pair of skimmers: **ZRBS**  
 Pair of coulters : **CDRBS**  
 Control wheel : **ROUERM**

**The advantages :** perfect for tractors with medium power. Easy utilization, adjustment and maintenance. Turn speed adjustable with flow limiter.